

Modello ATS
Model ATS
German patent no P3808215



Modello ATS-A
Model ATS - A
German patent no P3808215



- STN Regolazione progressiva
- STN Progressive Adjustment

Modello **STN**

Model **STN**

German patent no 0105431



Modello **STN2** - Model **STN2**



Modello **STNP**

Model **STNP**

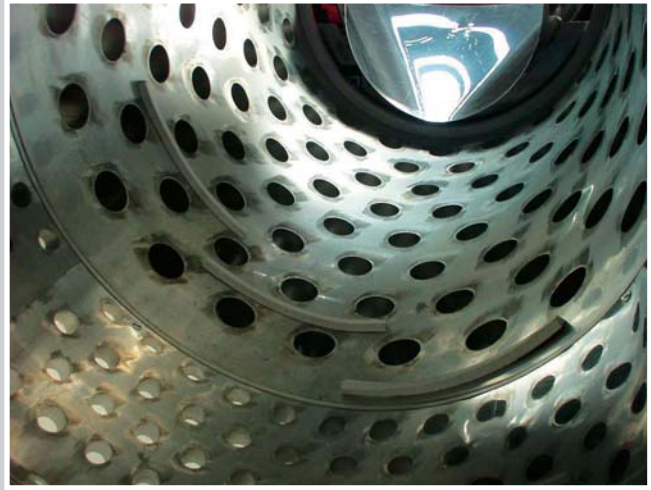
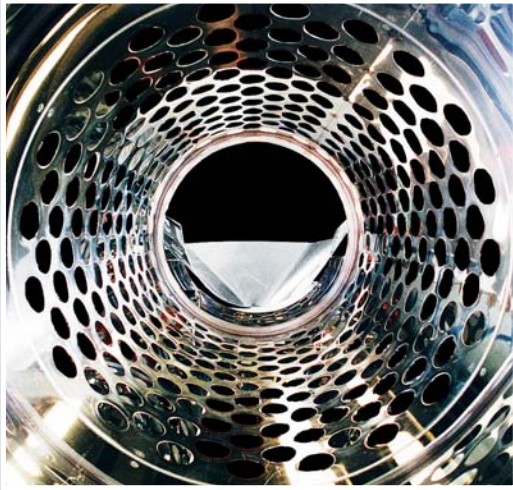
German patent no 0105431



Modello **STNP 2UX**

Model **STNP-2UX**





Modello **STN-LK**
Model **STN-LK**



Modello **SB**
Model **SB**



Modello **S5**

Model S5

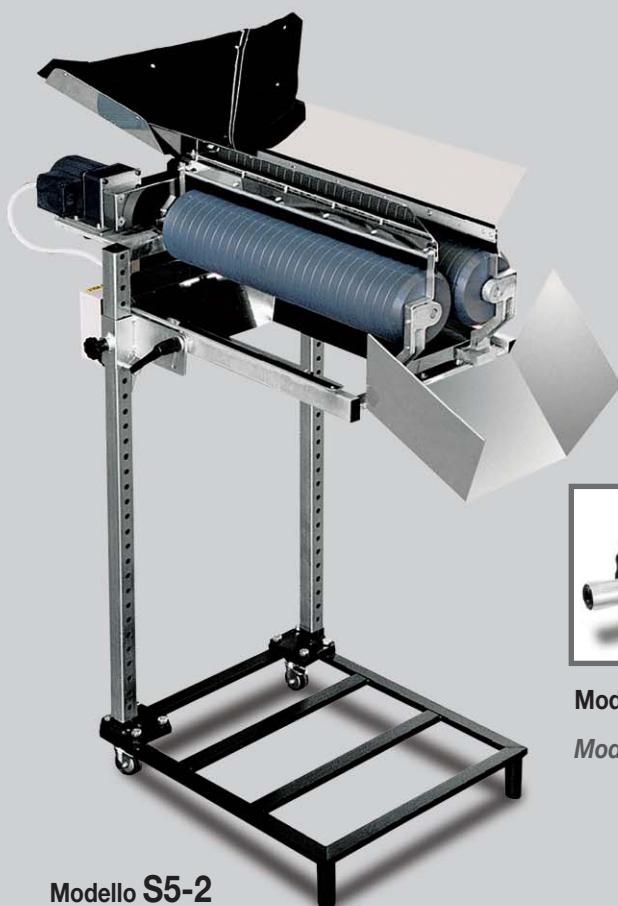
German patent no. P 3372 934.4-08



Modello **S5-A**

Model S5-A

German patent no. P 3372 934.4-08



Modello **S5-2**

Model S5-2



Modello **SMS**

Model SMS



Modello **SMR**

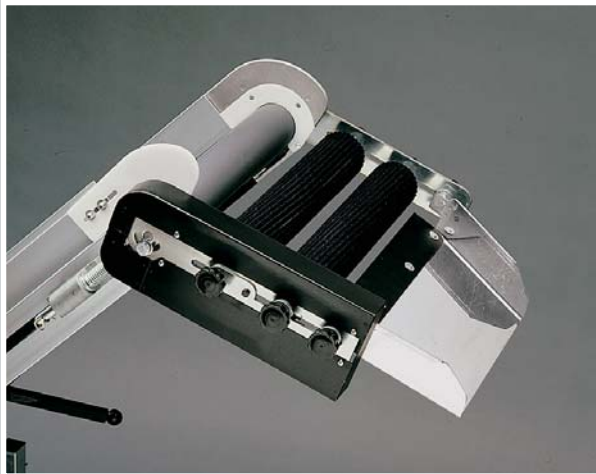
Model SMR



Modello SC1S
Model SC1S



Modello SC1
Model SC1



Modello S1-2 - Model S1-2



Modello S1-S - Model S1-S



Modello S1 - Model S1



Modello SD1 - Model SD1

Modello S1-P

Model S1-P

