

Dehumidifying Dryers DS 503 - DS 507



English

The DS 503-507 are single bed desiccant dryers with airflow of up to 80 m³/h and dew point as low as -35°C. They have a very compact design and ensure efficient drying for all hygroscopic and engineering polymers.



PIOVAN

Customers. The core of our innovation

Dehumidifying Dryers

DS 503 - DS 507

The DS 503-507 are single bed desiccant dryers with airflow of up to 80 m³/h and dew point as low as -35°C. They have a very compact design and ensure efficient drying for all hygroscopic and engineering polymers.

The process air temperature is controlled by a **microprocessor panel** up to **160°C**. All significant working parameters as well as functioning modalities, can be set from the same microprocessor control panel. The display shows the working temperature, the set point and any alarm message.

A safety temperature control, complete with independent contactor and temperature probe is also available as a standard feature. The operator can enter the difference between the temperature of set point and the safety temperature, that is then kept over the whole working temperature range.

All models can be equipped with **serial interface port** for connection to a supervisory system.





Characteristics

- Highly efficient desiccant material
- High capacity and pressure blowers
- Safety devices in compliance with European standards
- Process airflow regulation valve
- Large capacity filters
- Microprocessor control panel with functions and operating mode display
- Serial interface port (optional)



Control panel

The **HT version** of the DS 503 - DS 507 dryers with external heating chamber, which can operate up to **200°C**, is also available on request.

The DS 503 – DS 507 dryers can be coupled with hoppers having capacities of up to 200 dm³. The drying hopper can be installed on the processing machine or placed on a mobile trolley.

Piovani also supplies extremely compact **mobile drying systems** with multiple hopper set-up.



Single-hopper mobile drying system

Dehumidifying Dryers DS 503 - DS 507



Hoppers

All drying hoppers are solely manufactured out of stainless steel, so to prevent any contamination or corrosion.

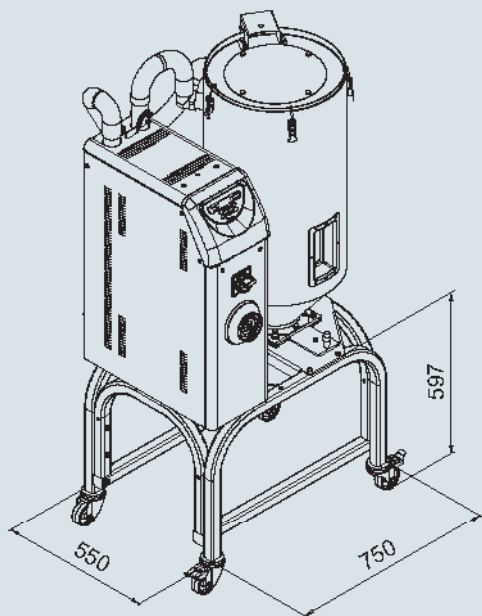
- Insulated and wrapped with an aluminium heat shield
- Integral insulation with thickness of 60 mm
- Inspection and maintenance door
 - hinged
 - insulated
 - designed for regular material descent
- Lid with mounting flange for hopper loader



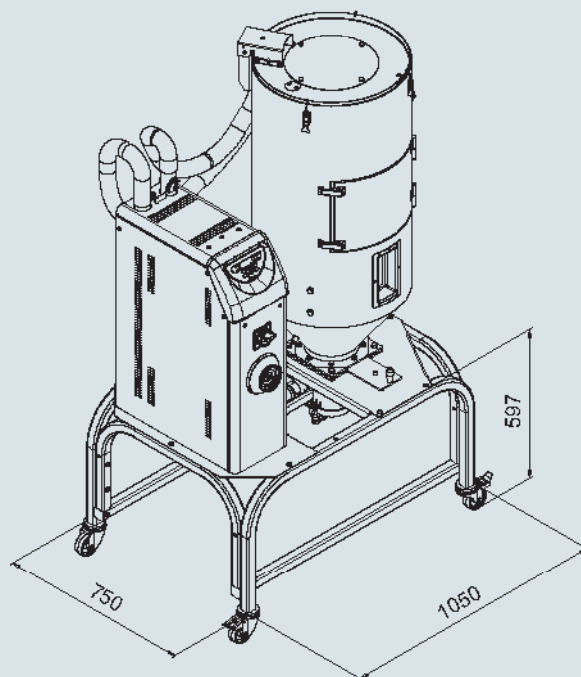
Hinged lid



Hinged door for cleaning and inspection



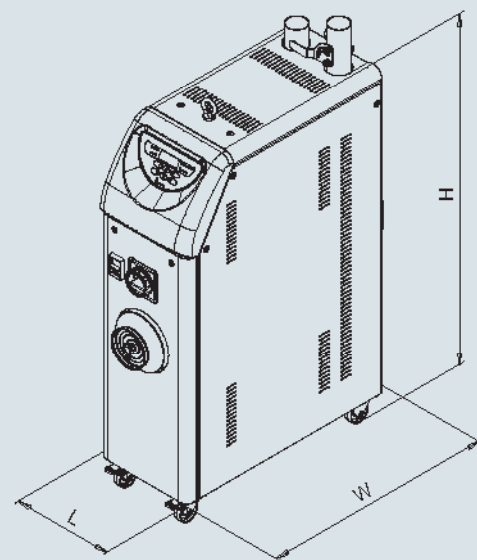
Single-hopper dehumidifying system with T 30 - T 50



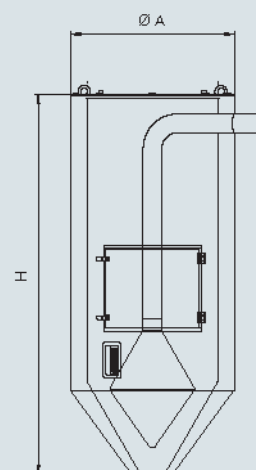
Single-hopper dehumidifying system with T 75 - T 200

Technical Data		DS 503	DS 507
Process airflow	m ³ /h	50	80
Power of process blower	kW	0.1	0.2
Heating power	kW	2	3
Regeneration power	kW	2	3
Total installed power	kW	2.1	3.2
Voltage and frequency	V/-/Hz	230/1/50-60	230/1/50-60
Max. process temperature	°C	160 (200*)	160 (200*)
Average consumption at 80°C	kWh	0.75	0.95
Dimensions (LxWxH)	mm	250x550x870	250x550x870
Weight	kg	43	48

* HT version



Model	Capacity dm ³	σ A mm	H mm	Weight kg
T 10	10	300	495	9
T 30	30	434	735	17
T 50	50	434	1005	27
T 75	75	526	1008	40
T 100	100	526	1238	48
T 150	150	600	1238	58
T 200	200	600	1588	66



www.piovan.com

EUROPE

PIOVAN S.p.A. (*)

Tel. +39 041 57.99.111
Fax +39 041 48.74.37
sales@piovan.com

PIOVAN GmbH

Tel. +49 89 329.457.0
Fax +49 89 329.457.11
info@piovan.de

PIOVAN CENTRAL EUROPE GmbH

Tel. +43 2236 312.110.0
Fax +43 2236 312.110.50
office@piovan.at

PIOVAN GmbH ODDZIAL W POLSCE

Tel. +48 71 35.00.617
Fax +48 71 35.00.337
info@piovan.pl

PIOVAN UK Ltd.

Tel. +44 (0) 1527 879.419
Fax +44 (0) 1527 879.504
piovanuk@piovan.com

AMERICAS

PIOVAN Canada Ltd.

Tel. +1 905 629.8822
Fax +1 905 629.8827
info@piovanca.com

PIOVAN MEXICO S.A. de C.V.

Tel. +52 55 5386.8577/1997.8562
Fax +52 55 1997.8563
informexico@piovan.ca

PIOVAN do Brasil Ltda (*)

Tel. +55 11 3693.9500
Fax +55 11 3693.9515
piovan@piovan.com.br

ASIA

PIOVAN ASIA Pte Ltd.

Tel. +65 6674 5930
Fax +65 6674 5901
sales@piovanasia.com.sg

PIOVAN THAILAND

Tel. +662 643 97.53/55
Fax +662 643 97.57
sales@piovanasia.com.sg

PIOVAN PLASTICS MACHINERY CHINA (*)

Tel. +86 756 383.7770
Fax +86 756 383.7771
piovanzh@piovan.cn

PIOVAN BEIJING

Tel. +86 10 8586.1393
Fax +86 10 8586.1393
piovanzh@piovan.cn

PIOVAN SHANGHAI

Tel. +86 21 6140.5523
Fax +86 21 6140.5524
piovanzh@piovan.cn

PIOVAN HONG KONG Ltd.

Tel. +852 2368.8728
Fax +852 2368.8758
sales@piovanhk.com.hk

(*) manufacturing site