

# DS 503-507

## *Desiccant Dryers*

### *Compact design, efficient drying*

**Benefits:**

- Highly efficient desiccant material
- High capacity and pressure blowers
- Safety devices in compliance with European standards
- Process airflow regulation valve
- Large capacity filters



Single desiccant tower models, with an airflow up to 80 m<sup>3</sup>/h and able to operate with Dew Point values down to -35°C. Process air temperature up

to 150°C. They have a very compact design and ensure efficient drying for all hygroscopic and engineering polymers.

## Customer oriented solutions:

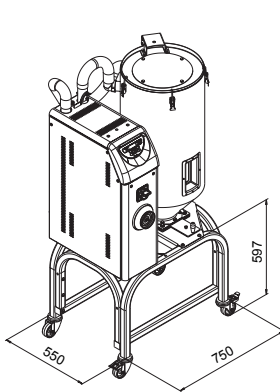
### Compact design

### Flexible and modular configuration:

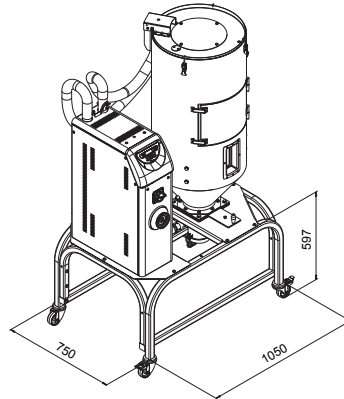
- Can be coupled with hoppers having capacities of up to 200 dm<sup>3</sup>.
- Can be installed on the processing machine or placed on a mobile trolley

### Easy utilisation:

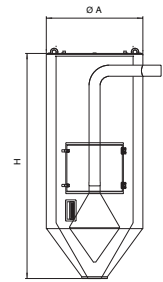
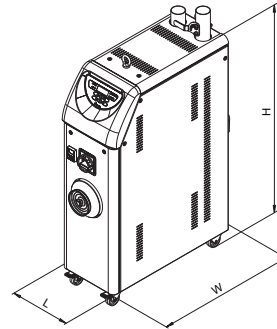
- All significant working parameters and functioning modalities can be set from the same microprocessor control panel
- Clear information: the display shows the working temperature, the set point and any alarm message.



T 30 T 50



T 75 T 200



991D086 - Disclaimer: data in this document may be out of date. Please consult technical data sheet

TECHNICAL DATA		DS 503	DS 507
Process airflow *	m <sup>3</sup> /h	50	80
Power of process blower *	kW	0.1	0.2
Heating power	kW	2	3
Regeneration air blower	kW	2	3
Total installed power	kW	2.1	3.2
Average consumption at 80°C	kWh	0.75	0.95
Max process temperature	°C	150 (200*)	
Voltage and frequency	V/-/Hz	230/1/50-60	
Dimensions (LxWxH)	mm	250x550x870	
Weight	kg	43	48

\* 60Hz version

MODELS	T 10	T 30	T 50	T 75	T 100	T 150	T 200
Capacity dm <sup>3</sup>	10	30	50	75	100	150	200
Ø A mm	300	434	434	526	526	600	600
H mm	495	735	1005	1008	1238	1238	1588
Weight kg	9	17	27	40	48	58	66