

G-ESN

Hot Air Dryers

Easy-to-use functionality

Benefits:

- Optimal performance
- Flexibility
- Cooling stop
- Accurate control
- Drying hoppers in stainless steel
- ESN Winfactory 4.0 Ready



Wf Winfactory 4.0
4.0 R E A D Y

The G and ESN series Hot Air Dryers are used to remove surface moisture from non-hygroscopic thermoplastic materials; suitable for applications involving high rates of material consumption. The heater, blower and control gear are fixed on the side of a drying hopper to form a single drying unit.

The ESN hot air generator is a separate

unit, connected to the insulated drying hopper by using special high temperature flexible or rigid pipes.

The hot air dryer and hopper are usually floor-positioned and can serve one or more processing machines. The temperature control is performed by an electronic thermostat and a safety thermostat is available as an option.

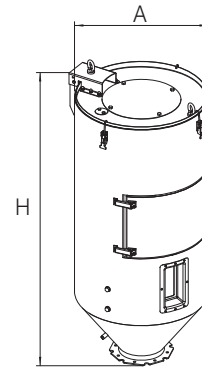
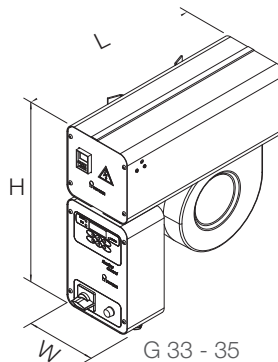
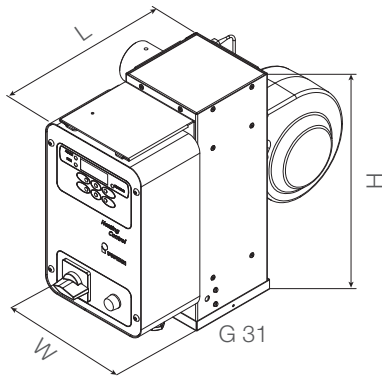
Customer oriented solutions:

Flexible configuration:

- Can be installed directly on the injection moulding machines or extruders or floor/trolley mounted for mobility
- Hot air generator is a separate unit
- Can serve one or more processing machines
- Hoppers capacity from 10 to 3000 dm³

Flexible configuration:

- Hoppers are manufactured in stainless steel to avoid risk of contamination and corrosion
- Accurate construction (no thermal dispersion, homogeneous distribution of temperature inside them hopper).



991D068 - Disclaimer: data in this document may be out of date. Please consult technical data sheet

TECHNICAL DATA		G series			ESN series			
		G 31	G33	G35	ESN 40	ESN 60	ESN 80	ESN 120
Process airflow	m ³ /h	20	70	120	400	600	800	1200
Blower power	kW	0.08	0.3	0.3	1.1	5.5	7.5	11
Heating power	kW	1.5	2.5	3	11.4	18	27	36
Total power*	kW	1.6	2.8	3.3	13	24	35	48
Max temperature	°C	140						
Dimensions (W)	mm	202	223	285	670	950	950	950
Dimensions (L)	mm	465	530	530	670	950	950	950
Dimensions (H)	mm	351	491	491	1650	1640	1640	1640
Weight	kg	12	25	27	120	170	200	350

* 50Hz

HOPPERS: SUGGESTED COMBINATIONS																
MODELS	T10	T30	T50	T75	T100	T150	T200	T300	T400	T600	T800	T1000	T1500	T2000	T2500	T3000
G 31																
G 33																
G 35																
ESN 40																
ESN 60																
ESN 80																
ESN 120																